



Series K3000 Single Phase Kilowatt Hour Meter

Features:

- Six Digit kWh LCD Display (no multipliers)
- Voltage Per Phase
- Amperage Per Phase
- kW Per Phase
- Remote CT Operated (up to 10,000 Amps)
- kWh Pulse (Form A Relay)
- RS 485 Modbus Communications (included)
- Plug In Terminals for Field Testing
- Rate LED Indicates Relay Operation
- LCD Display Shows Correct / Incorrect Wiring

Specifications:

- NEMA 1 Painted Steel Enclosure
- Temp Range: -10 – 120 Degrees F
- Humidity: 95% Non Condensing
- Pulse Relay: 120 VAC .5 Amp Resistive
- Meter Consumption: 0.2 Amps
- Burden: CT Burden 0.6 VA
- Isolated CT Circuit
- Microprocessor Based – Ram Based – No Batteries

Accuracy:

- Power: 0.5%
- Energy: 0.2%
- ANSI C12.16

Compliance:

- Accuracy: ANSI C12.16
- FCC: Class A Part 15
- UL/CUL/CSA Listed
- Michigan Compliant
- NYC Approved

Current Transformers:

- Includes 2 – LX400 CTs
- (+/- 1% between 4 – 400 Amps)
- Other Solid Core – Bar Type – Split Cores CTs up to 10,000 Amps Available

Communication Options:

- Hard Wired Modbus Data– (up to 255 meters on one 2 wire circuit)
- Wireless Modbus RS485 Data
- Power Line Carrier
- Ethernet Converter (for direct Internet connection through LAN)



Models:

Kilowatt Hour Meters:

- K3223 120/208/240 VAC 3 Wire
- K3240 240 VAC 2 Wire
- K3277 277 VAC 2 Wire

Meter Option:

Green Meter Option Displays...
CO₂ (LBS) and Total Cost (\$) of kWh
Consumed

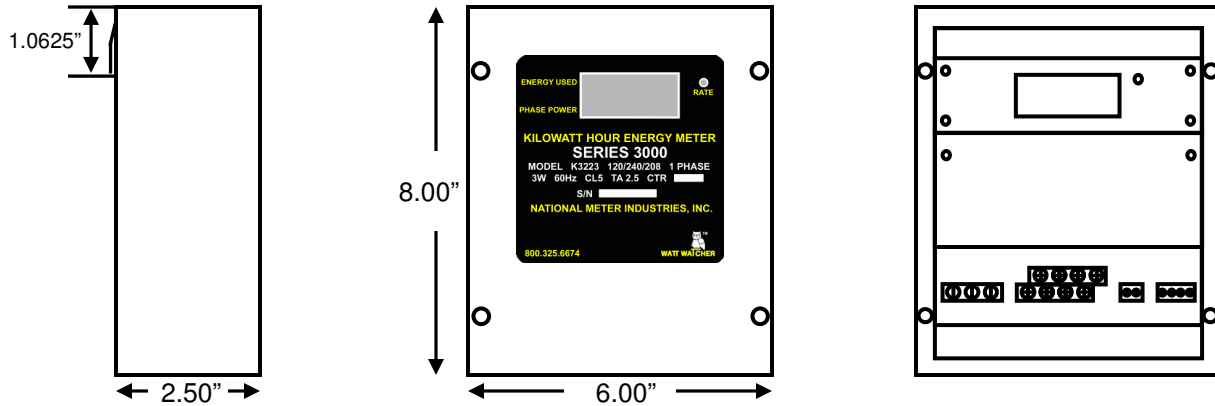
New Work Kit with Rough In Ring and Flush Cover

Old Work Kit with Flanged Box and Flush Cover

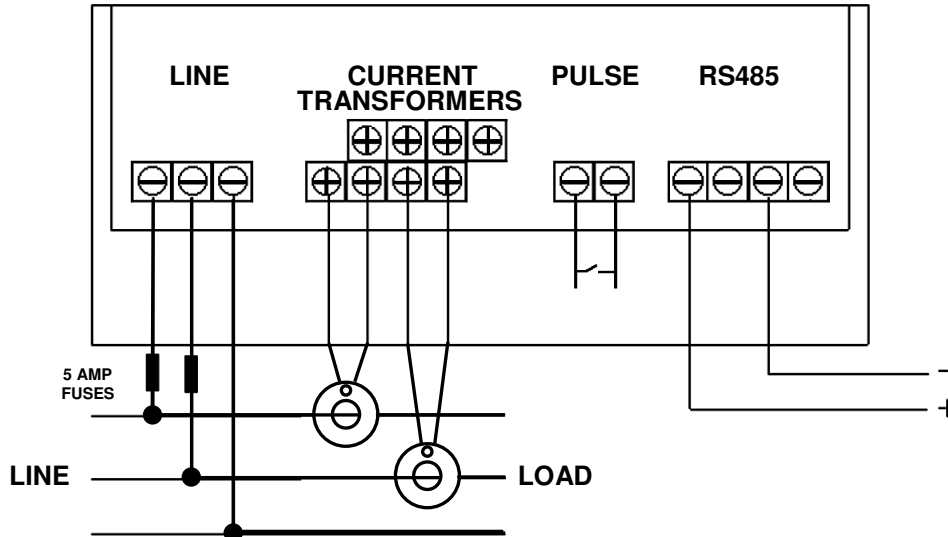
Software:

- Reading & Billing (R&B v2.0)
- Power Analyzing and Trending (Powerstudio)

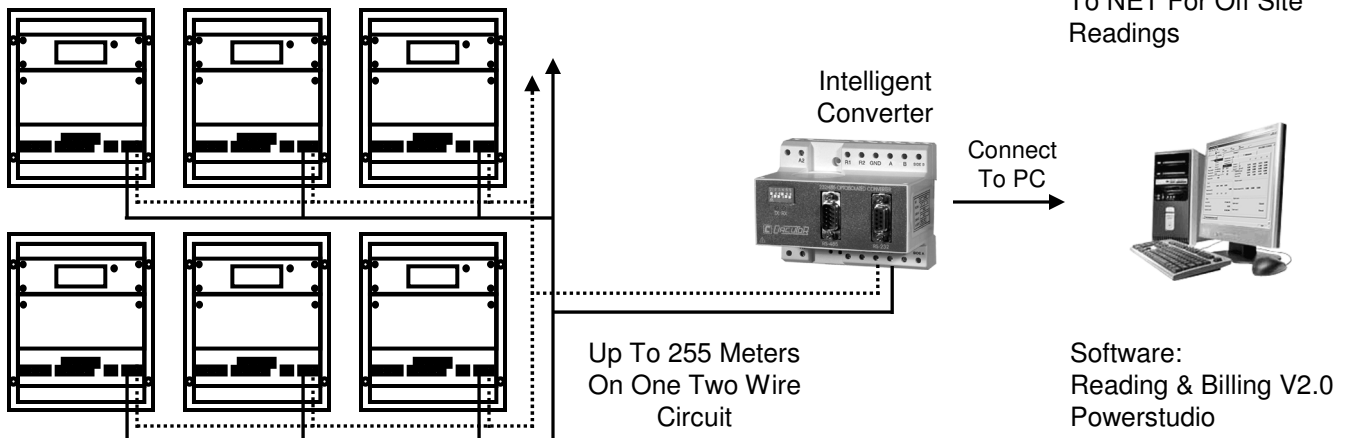
Series 3000 Dimensions



Typical Wiring Diagram



Hard Wired Communications





LX400 Solid Core Current Transformer

Features:

The “LX” Series CT is our most popular Solid Core Current Transformer. It is offered in a Ratio of 400:5 and comes with three feet of #18 AWG wire attached. The accuracy range of this CT is +/- 1% from 1% through 100% loading.

Example:

The LX400 CT is +/- 1% between 4 – 400 AMPS.

Standards:

ANSI C57.13



Other Current Transformers:

Larger Solid Core, Split Core and Bar Type CTs are available from 5 – 10,000 AMPS.

High Voltage 5kV – 34.5kV CTs are also available to meet any application.

Dimensions

