

Computer SMART III



Smart Power Factor regulator

Description

Measurement with three current transformers guarantees an analogue reading of the company meter. The **Computer SMART III** reactive energy regulator is the only regulator on the market that offers the possibility of using 3 measurement transformers in addition to the conventional method of measuring with a single current transformer, as well as providing the functions of an integral power analyzer and controlling residual leakage currents.

Computer SMART III is a regulator that ensures excellent preventive maintenance by means of programming its alarms and the options for testing the capacitor status, offering maximum supervision and safety of your compensation unit.

Application

The connection of 1 or 3 transformers makes **computer SMART III** the perfect regulator in any installation, allowing the following:

- Changing from 1 to 3 transformers in the following cases:
 - Changes in reactive energy penalties
 - Changes in consumption habits
 - Significant imbalances in the system
- Replacing the regulator of any capacitor bank
- Perfect for installations with up to 4 objective $\cos \phi$, since it can adapt to any compensation need (different time periods).
- It can be used with Medium Voltage compensation units.

Technical features

Voltage circuit	Power supply voltage	110...480 Vac
	Tolerance	10%
	Consumption	6 VA
	Frequency	45...65 Hz
Measurement circuit	Measurement voltage	525 Vac P-P 300 Vac P-N
	Current measurement	x1 or x3 transformers .../5 A or .../1 A
Leakage current	Measurement range	$I_{\Delta prim} = 10 \text{ mA} \dots 1 \text{ A AC}$
	Current transformers	WGC series
Accuracy	Voltage and Current	1%
	Cos ϕ	2% ± 1 digit
Temperature measurement	Measurement range	0 °C...80 °C ± 3 °C
Alarm relay	Output contact	Switched
	U_{max} and I_{max} (operation)	250 Vac / 6 A
Output relay	No. of relays	6 or 12, depending on the type
	U_{max} and I_{max} (operation)	250 Vac / 6 A
Fan relay	Output contact	Not switched
	U_{max} and I_{max} (operation)	250 Vac / 6 A
Digital outputs	No. of outputs	2
	Type	NPN transistor
	U_{max} and I_{max} (operation)	24 Vdc / 50 mA
Digital inputs	No. of inputs	2
Alarms	No. of alarms	17, fully configurable
Communications	Port	RS-485
	Protocol	Modbus / RTU
Operating conditions	Temperature	-20 °C...+60 °C
	Relative humidity	95% without condensation
	Maximum altitude	2,000 m
Control system	PFC (Program that minimises the number of operations)	
Safety	Insulation	Category III Class II EN 61010-1
	Protection degree	IP 40 assembled IP 30 not assembled, in accordance with EN-60529
Standards	IEC 62053-23 (2003-01), IEC 61326-1 , EN 61010-1 , UL 508	

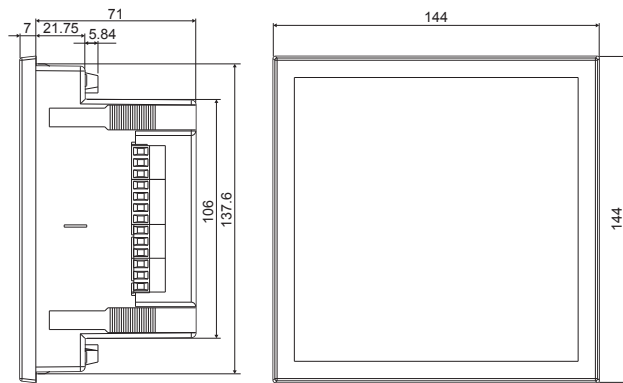
Computer SMART III

Smart Power Factor regulator

References

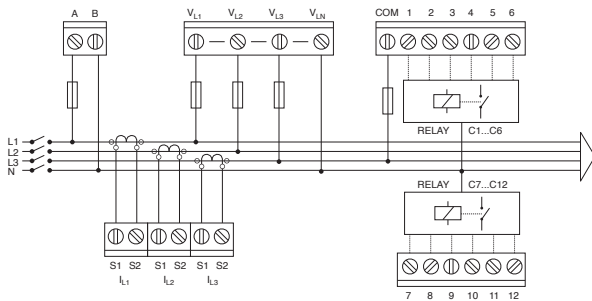
Type	Code	No. relays
Computer Smart III 6	R13851	6
Computer Smart III 12	R13862	12
Computer Smart III 14	R13864	14

Dimensions

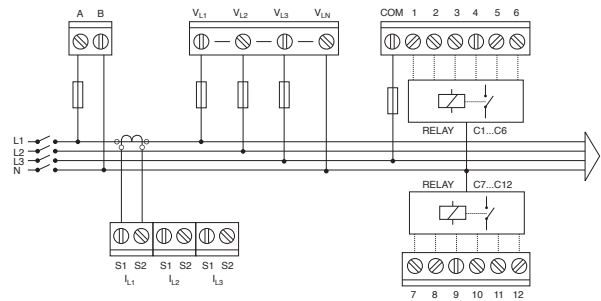


Connections

Connection of 3 phases + neutral
3 current transformers



Connection of 3 phases + neutral
1 current transformer



Connection of 2 phases +
1 current transformer

