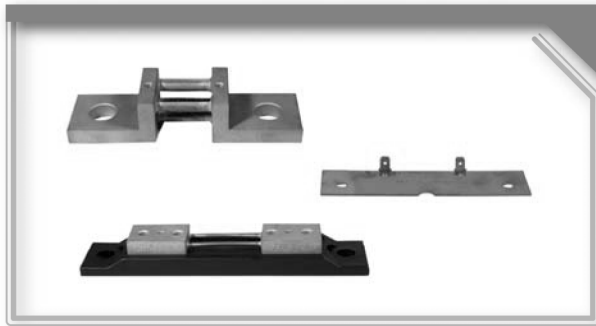




## 60 mV Shunts



### SHUNTS

National Meter offers a wide range of Shunts up to 15,000 A for continuous current measurement. The standard secondary side output is 60 mV. 50, 100, 150, 200, 300, 600 mV outputs are available upon request.

Type		SH	Type		SH	Type		SHP	SHB
Ratio	A		Ratio	A		Ratio	A		
30 A / 60 mV	30	M71231	1 000 A / 60 mV	1 000	M7123G	1 A / 60 mV	1		M71221
40 A / 60 mV	40	M71232	1 200 A / 60 mV	1 200	M7123H	1,5 A / 60 mV	1,5		M71222
50 A / 60 mV	50	M71233	1 500 A / 60 mV	1 500	M7123J	2,5 A / 60 mV	2,5		M71223
60 A / 60 mV	60	M71234	2 000 A / 60 mV	2 000	M7123K	4 A / 60 mV	4		M71224
80 A / 60 mV	80	M71235	2 500 A / 60 mV	2 500	M7123L	5 A / 60 mV	5		M71225
100 A / 60 mV	100	M71236	3 000 A / 60 mV	3 000	M7123M	6 A / 60 mV	6		M71226
150 A / 60 mV	150	M71237	4 000 A / 60 mV	4 000	M7123N	10 A / 60 mV	10		M71227
200 A / 60 mV	200	M71238	5 000 A / 60 mV	5 000	M7123P	15 A / 60 mV	15		M71228
250 A / 60 mV	250	M71239	6 000 A / 60 mV	6 000	M7123Q	25 A / 60 mV	25		M71229
300 A / 60 mV	300	M7123A	7 500 A / 60 mV	7 500	M7123R	30 A / 60 mV	30	M71211	M7122A
400 A / 60 mV	400	M7123B	8 000 A / 60 mV	8 000	M7123S	40 A / 60 mV	40	M71212	M7122B
500 A / 60 mV	500	M7123C	10 000 A / 60 mV	10 000	M7123T	50 A / 60 mV	50	M71213	M7122C
600 A / 60 mV	600	M7123D	12 500 A / 60 mV	12 500	M7123U	60 A / 60 mV	60	M71214	M7122D
750 A / 60 mV	750	M7123E	15 000 A / 60 mV	15 000	M7123V	75 A / 60 mV	75	M71215	
800 A / 60 mV	800	M7123F				80 A / 60 mV	80		M7122E
						100 A / 60 mV	100	M71216	M7122F
						150 A / 60 mV	150	M71217	