

SPLIT-CORE CURRENT TRANSFORMER WC5 SERIES

The WC5 Series provide precision measurement for sub-metering, controls and energy management without dismantling the main line. Ergonomically designed with secured latches and keying holes, this CT handles medium to high load while retaining compact size.



FEATURES

- 2.0" x 3.5" window opening (ID)
- Double secured latches per side & keying holes
- Built-in tabs for easy removal and installation
- Rigid housing case with UL 94V-0 durable plastic
- Ergonomically designed with no exposed metals
- 8-32 screw terminals (Type A)
- Pigtail black/white wire leads (Type B)

APPLICATIONS

- Energy and sub-metering products
- Electrical load monitoring
- Network equipment
- Instruments and sensors
- Control systems
- Go GREEN initiatives

SPECIFICATIONS

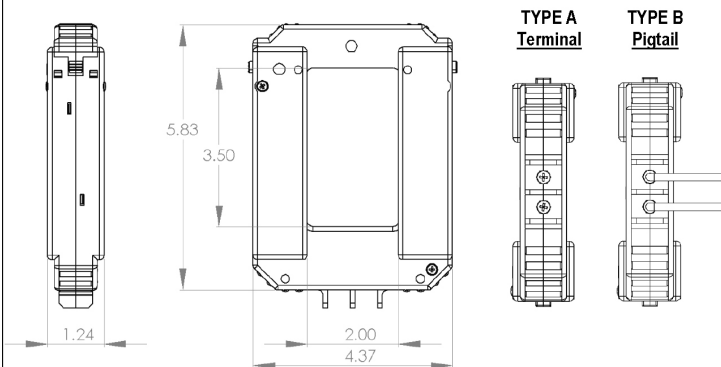
- Standard Input Current 200-1000A
- Frequency 50Hz — 400Hz
- Custom design Turns-Ratio available
- Standard accuracy 0.5 (Varied by models)
- Approximate weight 1.7Lbs
- Clamping voltage on selected models
- ANSI C57.13 and C12.20 Standards

Specifications subject to change without notice

STANDARD PART-NUMBERS

WATTCORE P/N	INPUT RATING	AVAILABLE OUTPUTS (XXXX)
WC5-200-XXXX	200A	CURRENT OUTPUTS @ 20mA, 40mA, 100mA, 1A and 5A VOLTAGE OUTPUTS @ 0.25V, 0.333V, 0.50V, 1V and 2V
WC5-400-XXXX	400A	
WC5-600-XXXX	600A	
WC5-800-XXXX	800A	
WC5-1000-XXXX	1000A	

DIMENSIONS (Inches)



CAUTION

Before installation, safety precautions must be followed by licensed professional. Never energize primary unless short circuited terminals or burden connected to secondary.

