

## WC6 SERIES Split-Core Current Transformers

WC6 Series has the largest ID of WC Series, making suitable for high load and large bus-bar applications. Accessible from either sides allow electricians to open/close easily during metering & energy management installations and retrofits without dismantling power-line. This CT has WC's trademark ergonomic secure 2D-Latch™ feature along with locking and servicing date tag provisions. Install with confidence from made in America design, quality and assembly!

### MECHANICAL

Window Size	2.0" x 5.5" [50.8mm x 139.7mm]
Wire Leads	6ft [1.8m] 16AWG blk/wht twisted UL1015 105°C 600V
Operating Temperature	-15°C to 65°C (90% Rel. Hum.)
Altitude	6,600ft [2012m]
Weight	2.2Lbs [1.0Kg]
Keying Hole	Plastic rivet for locking or date tag
Ergonomic	EZ-Open on either sides, no tool

### ELECTRICAL

Input (max.)	2000A, AC Sine-wave 50/60Hz
Output	5A, full-scale
Accuracy (typical)	0.5%
Linearity	10% to 120%
Polarity	White (X1 - Hi), Black (X2 - Low)
Phase Direction	Arrow points toward Load
Frequency	40 to 400Hz

### REGULATORY STANDARDS

Voltage Rating	600VAC, Category III
Construction	UL94V-0 flame retardant, thermoplastic 2X reinforced insulations, PD2 (optional)
Standards	IEEE C57.13 & IEC 60044-1 UL 61010-1 & CAN/CSA C22.2 IEC 61010-2 & ANSI C12.20

### INSTALLATION

For indoor use only. Turn off power source before working with CTs. Observe X1X2 polarity and read manufacture's instructions of the equipment you are connecting to CTs for proper installation guide. Professional installations required for safe handling and operation.



WATTCORE LLC | Core Solutions for Energy Management™  
1287 Rand Road  
Des Plaines, IL 60016 (USA)  
571.482.6777 | sales@wattcore.com | www.wattcore.com

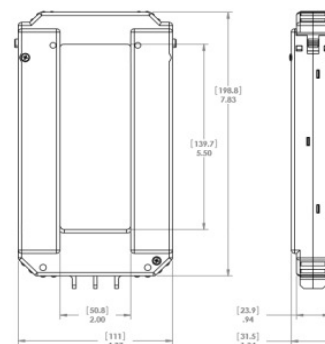


### MODELS

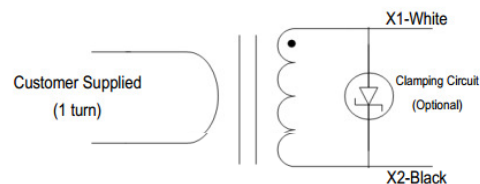
PART-NUMBER	RATIO*	ACCURACY	BURDEN (VA)
WC6-0800-RA005	800:5A	0.5	4.00
WC6-1200-RA005	1200:5A	0.5	5.25
WC6-1600-RA005	1600:5A	0.5	6.25
WC6-2000-RA005	2000:5A	0.5	8.00

\*Custom ratio output available: XXmA and 1A

### DIMENSIONS [mm]



### SCHEMATIC



### **⚠ DANGER**

De-energize source before installation! Observe national and local electrical codes for safety and compliant. Licensed electricians required. Use precaution when working with electricity!

DIMENSIONS [mm]

