

DIR2

1-step power factor relay for DIN rail



Description

The **DIR2** Power Factor Relay is capable of acting on a circuit in accordance with the reactive inductive or capacitive current transmitted through it. The **DIR2** relay measures the reactive current in mA of the secondary of a .../250 mA current transformer **MC1** or **MC3** type. The front of the relay has a control panel that is used to adjust the reactive current where the relay will act. It has a LED that indicates the status of the relay.

Applications

The **DIR2** relay is easy to install and program, making it the best solution in the following applications:

- Individual compensation of small, medium or large power loads.
- Partial compensation in installations with automatic equipment available.
- Partial or total regulator in low-power installations. Instantaneous and total disconnection of capacitor banks when there is a high capacitive current in the network. Control of reactive currents - capacitive and inductive - triggering an alarm signal when a high current is detected.

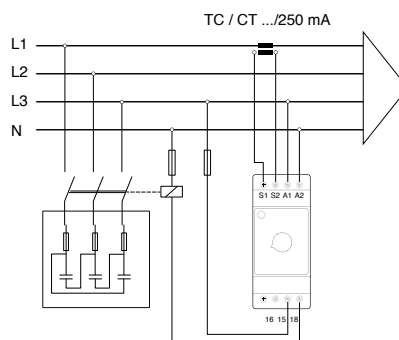
Technical features

Voltage circuit	Power supply	400 Va.c.
	Tolerance	±10 %
	Consumption with all relays connected	5 VA
	Frequency	50...60 Hz
Measurement circuit	Consumption	0,5 VA
	Nominal current (I_n)	250 mA
Outputs	No. of outputs	1
	Maximum voltage	200 V
	Maximum current	100 mA
Working condition	Working temperature	-10 ... +50 °C
	Relative humidity	95% (without condensation)
	Altitud máxima	2000 m
Building features	Protection degree	IP 21
	Assembly	DIN Rail (2 modules)
	Connection	Terminals
	Dimensions	35 x 85 x 73 mm
Standards	EN 61010, EN 61000-3-2, EN 61000-3-3, EN 50081-2, EN 50082-1, EN 50082-2, EN 61000-4-2, EN 61000-4-4, EN 61000-4-8, EN 61000-4-5, EN 61000-4-11, UL 94	

References

Type	Code	Power supply
DIR2	R11211	400 Va.c.

Connections



Dimensions

