

Computer SMART III fast



Smart Power Factor regulator for static capacitor banks

Description

Measurement with three current transformers guarantees an analogue reading of the company meter. The **Computer SMART III Fast** reactive energy regulator is the only regulator on the market that offers the possibility of using 3 measurement transformers in addition to the conventional method of measuring with a single current transformer, as well as providing the functions of an integral power analyzer and controlling residual leakage currents.

Computer SMART III Fast is a regulator that ensures excellent preventive maintenance by means of programming its alarms and the options for testing the capacitor status, offering maximum supervision and safety of your compensation unit.

Application

Computer Smart III fast it's the ideal solution to compensate installations with a variation of quick load, between 40 ms and 4 seconds, and/or large unbalances between phases, such as welding units, cranes, lifts and lifting units, smelters, hospitals, automotive industry or any other sector or unit that requires an efficient compensation of the power factor. The connection of 1 or 3 transformers makes **computer SMART III Fast** the perfect regulator in any installation, allowing the following:

- Changing from 1 to 3 transformers in the following cases:
 - Single-phase fast changing equipment
 - Example: Single-phase welding
- Replacing the regulator of any capacitor bank
- Perfect for installations with up to 4 objective $\cos \varphi$, since it can adapt to any compensation need (different time periods).

Technical features

Voltage circuit	Power supply voltage	110...480 Vac
	Tolerance	10%
	Consumption	6 VA
	Frequency	45...65 Hz
Measurement circuit	Measurement voltage	525 Vac P-P 300 Vac P-N
	Current measurement	x1 or x3 transformers .../5 A or .../1 A
Leakage current	Measurement range	$I_{\Delta prim} = 10 \text{ mA} \dots 1 \text{ A AC}$
	Current transformers	WGC series
Accuracy	Voltage and Current	1%
	Cos φ	2% ± 1 digit
Temperature measurement	Measurement range	0 °C...80 °C ± 3 °C
Alarm relay	Output contact	Switched
	U_{max} and I_{max} (operation)	250 Vac / 6 A
Output	No. of outputs	6 or 12, depending on the type
	Type	OPTOMOS transistor
Fan relay	U_{max} and I_{max} (operation)	60 Vc.c. / 0,2 A
	Output contact	Not switched
Digital outputs	U_{max} and I_{max} (operation)	250 Vac / 6 A
	No. of outputs	2
Digital inputs	Type	NPN transistor
	U_{max} and I_{max} (operation)	24 Vdc / 50 mA
Alarms	No. of inputs	2
Communications	No. of alarms	17, fully configurable
	Port	RS-485
Operating conditions	Protocol	Modbus / RTU
	Temperature	-20 °C...+60 °C
	Relative humidity	95% without condensation
	Maximum altitude	2,000 m
Control system	PFC (Program that minimises the number of operations)	
Safety	Insulation	Category III Class II EN 61010-1
	Protection degree	IP 51 assembled IP 31 not assembled, in accordance with EN-60529
	Standards	UNE EN 61010:2010, UNE-EN 61000:2007, UNE-EN 61000-6-2:2005, UNE-EN 6100-6-4:2005

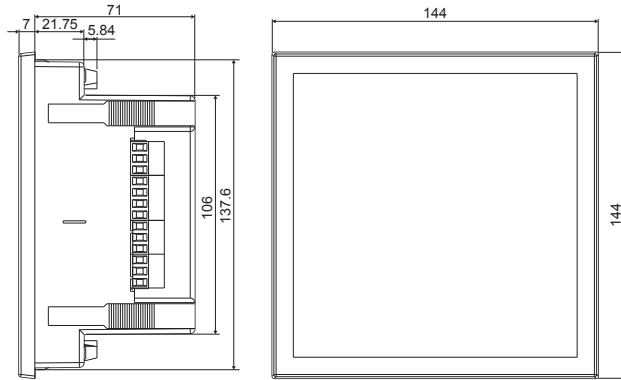
Computer SMART III fast

Smart Power Factor regulator for static capacitor banks

References

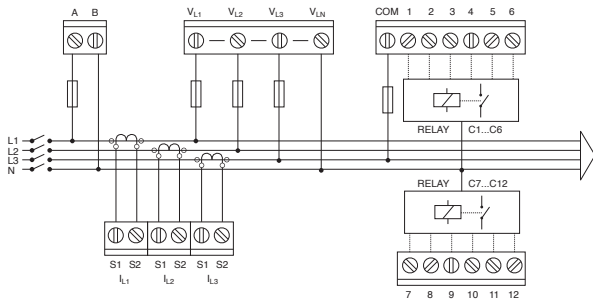
Type	Code	No. Relays
Computer Smart III Fast 6	R13951	6
Computer Smart III Fast 12	R13962	12

Dimensions

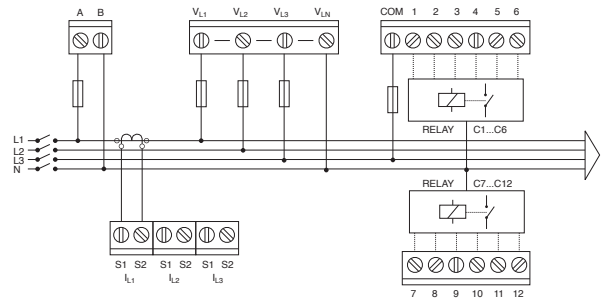


Connections

Connection of 3 phases + neutral
3 current transformers



Connection of 3 phases + neutral
1 current transformer



Connection of 2 phases +
1 current transformer

